

MOBILE HOT FOOD BAR

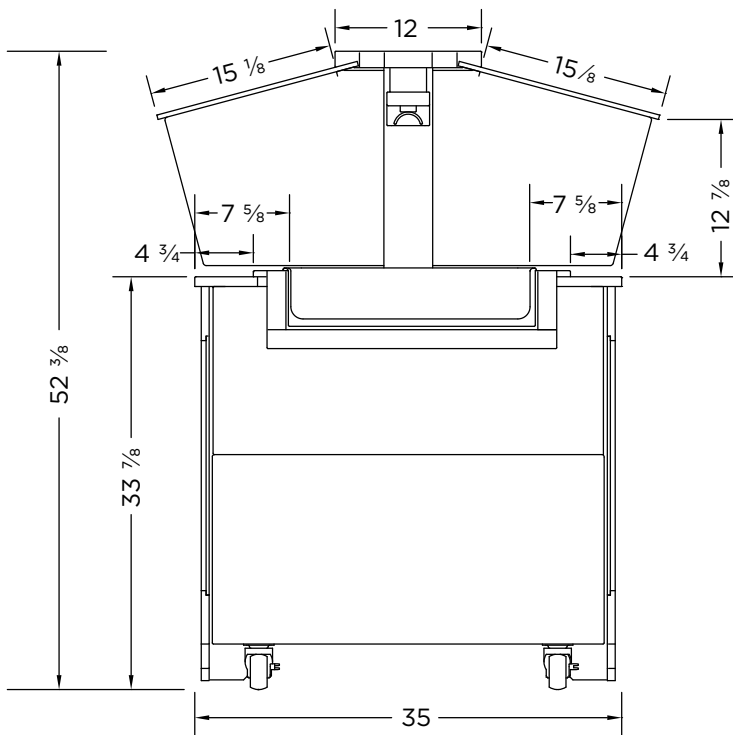
DOUBLE SIDED HOT WELL DESIGN



Shown with natural wood panels



Shown with black laminate panels



MODEL	WELLS	LENGTH
FBIH-3	3	55 $\frac{1}{4}$ "
FBIH-4	4	68 $\frac{1}{4}$ "
FBIH-5	5	81 $\frac{1}{4}$ "
FBIH-6	6	94 $\frac{1}{4}$ "

FEATURES:

- All metal base cabinet construction
- Exterior finish décor panels are attached using a unique clip-on hardware which allows for easy customization of the display. The décor panels are offered in natural wood, laminate or Stainless Steel materials
- Other custom options are offered. Refer to the options schedule on the next page
- Heat resistant LED lighting strips are mounted in the sneeze guard canopy
- Cayuga Displays proprietary waterless heating technology is designed to maintain the best holding temperatures to ensure product freshness and quality
- Ceramic heat emitters are mounted in the sneeze guard canopy to provide additional ambient heat above each food pan
- The Cayuga Displays waterless heating technology provide better energy efficiency than the conventional steam well system
- Full electrical certification. All electrical components ETL/UL certified
- Meets ADA and NSF-7 Standards
- Brush Stainless Steel countertop, refrigerated tub, sneeze guard canopy and top shelf cap

Note: Information and specifications may change due to engineering improvements.



MOBILE HOT FOOD BAR DOUBLE SIDED HOT WELL DESIGN



ELECTRICAL SPECS				
MODEL	LENGTH	VOLTS	AMPS	NEMA
FBIH-3	55 ¼"	230	15	L14-20P
FBIH-4	68 ¼"	230	20	L14-20P
FBIH-5	81 ¼"	230	25	(2) L14-20P
FBIH-6	94 ¼"	230	30	(2) L14-20P

STANDARD FEATURES:

- 2 exterior décor panel options: natural wood, and laminated black or white finishes
- Brushed Stainless Steel countertop, refrigerated tub, sneeze guard canopy and top shelf cap
- Heat resistant LED lighting strips are mounted in the sneeze guard canopy
- Cayuga Displays proprietary waterless heating technology is designed to maintain the best holding temperatures to ensure product freshness and quality
- Ceramic heat emitters are mounted in the sneeze guard canopy to provide additional ambient heat above each food pan
- The Cayuga Displays waterless heating technology provides better energy efficiency than the conventional steam well system

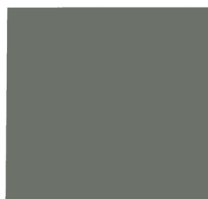
Available Natural Wood Décor Panel Options



Panel B



Panel C



Panel D

CUSTOM OPTIONS:

NATURAL WOOD DÉCOR PANELS	
Panel B	
Panel C	
Panel D	
Custom panel option	

EXTERIOR FINISHES	
Brushed Stainless Steel	
Category "A" laminate finish: A- _____	
Category "B" laminate finish: B- _____	
Oak Veneer Plywood	
- Vertical grain direction	
Birch/Maple Veneer Plywood	
- Vertical grain direction	
Clear Finish applied to Veneer	
Stain Finish Choice _____	
1" black McCue impact bumper strip applied to the front of the display	
Other McCue impact bumper strip colors Available upon request	

COUNTERTOP OPTIONS	
Engineered Stone (Specify)	
Solid Surface (Specify)	
Granite (Specify)	

MISCELLANEOUS OPTIONS	
Stainless Steel tray to cover pans for displaying Pizza	

ADDITIONAL INFORMATION:

- Designed to maintain the critical temperature of the products within the display at a range of 38-41°F (3-5°C) with an ambient atmosphere of 75°F (24°C)/55% humidity. Designed for holding pre-chilled product only
- Hot gas condensate evaporation system (most units)
- ETL listed and Sanitation certified to NSF-7
- 1 year parts and labor warranty